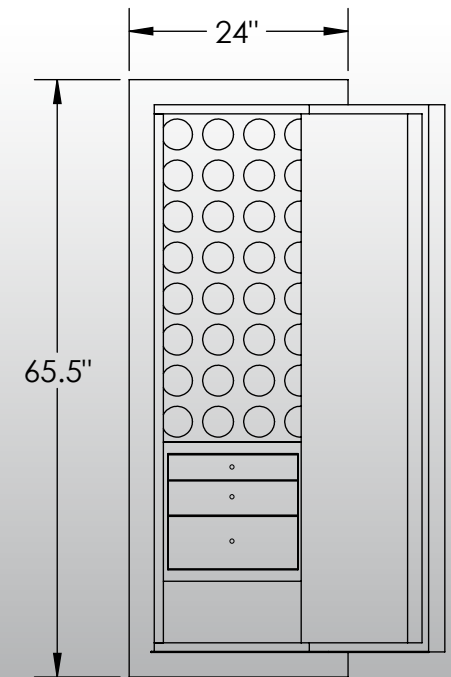
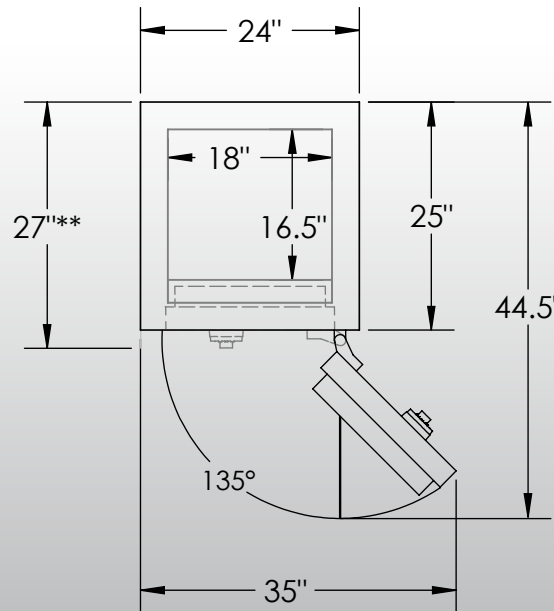
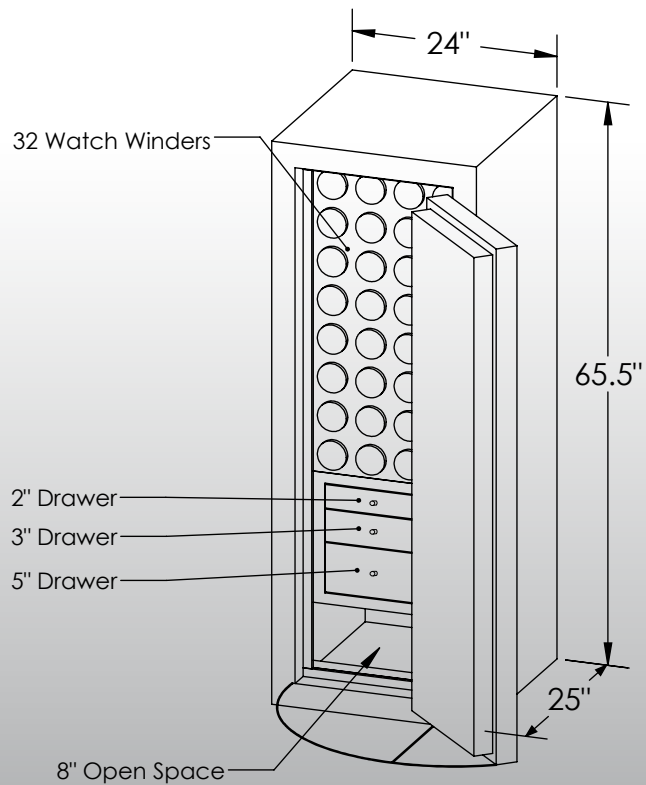


# Man Safe 6018 COM Configuration #2

## Features & Specifications:

Interior Dimensions -----	60"H x 18"W x 16.5"D
Exterior Dimensions -----	65.5"H x 24"W x 27"D
Interior Drawer Dimensions -----	12 3/4"W x 13"D
Capacity in Cubic Ft. -----	10
Weight -----	1,830 LBS
Watch Winders -----	Thirty Two
Drawer Configuration -----	One 2" Drawer
-----	One 3" Drawer
-----	One 5" Drawer
Open Space -----	8 inches



\* Please add 1" to all exterior dimensions to allow for installation.

\*\* Standard 120 volt outlet required for operation. Two cords exit at lower back of safe on hinge side to provide power to interior light and watch winders.