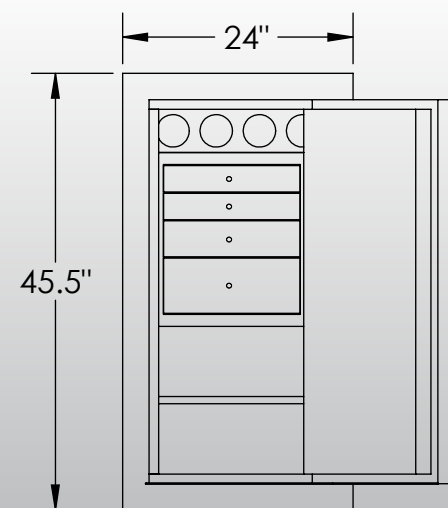
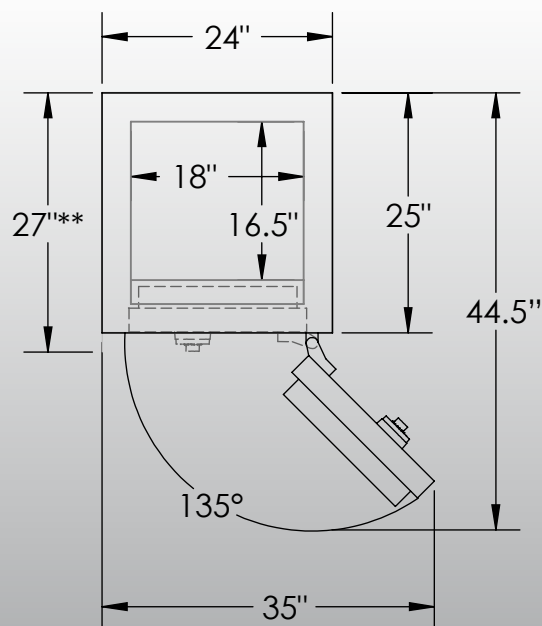
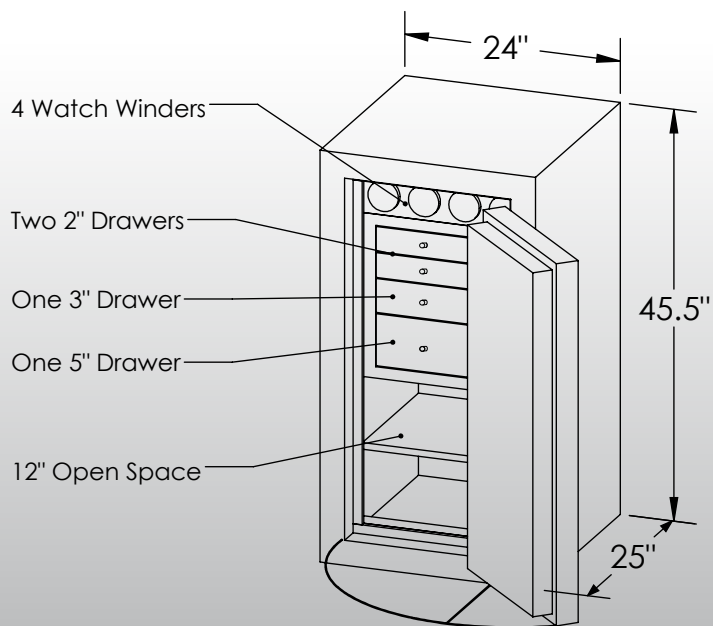


# Man Safe 4018 Elite COM Configuration #1

## Features & Specifications:

Interior Dimensions .....	40"H x 18"W x 16.5"D
Exterior Dimensions .....	45.5"H x 24"W x 27"D
Interior Drawer Dimensions .....	12 ¾"W x 13"D
Capacity in Cubic Ft. ....	7
Weight .....	1,250 LBS
Watch Winders .....	Four
Drawer Configuration .....	Two 2" Drawers
.....	One 3" Drawer
.....	One 5" Drawer
Open Space .....	12 inches with one adjustable shelf



\* Please add 1" to all exterior dimensions to allow for installation.

\*\* Standard 120 volt outlet required for operation. Two cords exit at lower back of safe on hinge side to provide power to interior light and watch winders.