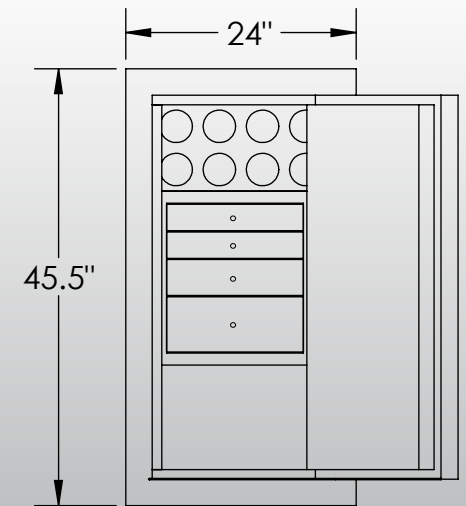
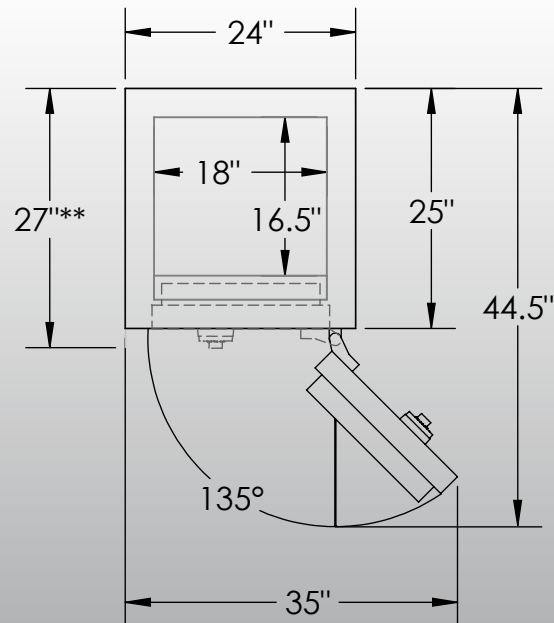
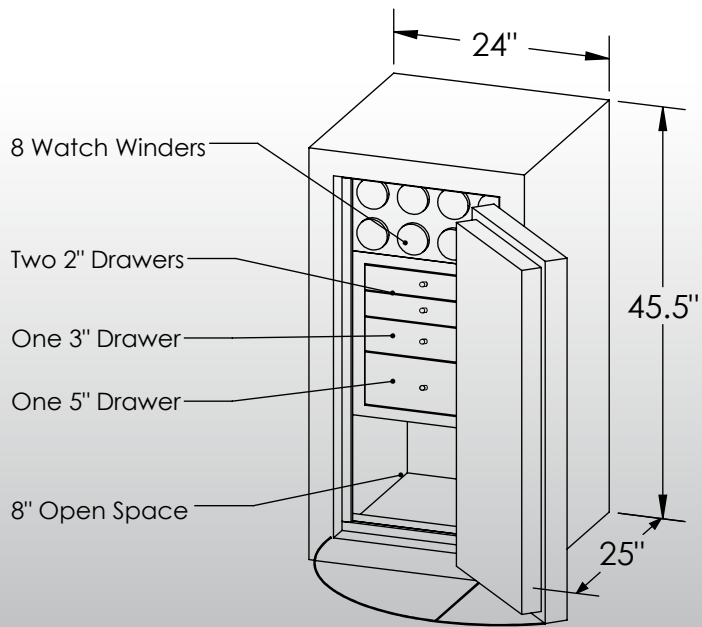


# Man Safe 4018 COM Configuration #2

## Features & Specifications:

Interior Dimensions .....	40"H x 18"W x 16.5"D
Exterior Dimensions .....	45.5"H x 24"W x 27"D
Interior Drawer Dimensions .....	12 ¾"W x 13"D
Capacity in Cubic Ft. ....	7
Weight .....	1,220 LBS
Watch Winders .....	Eight
Drawer Configuration .....	Two 2" Drawers
.....	One 3" Drawer
.....	One 5" Drawer
Open Space .....	8 inches



\* Please add 1" to all exterior dimensions to allow for installation.

\*\* Standard 120 volt outlet required for operation. Two cords exit at lower back of safe on hinge side to provide power to interior light and watch winders.