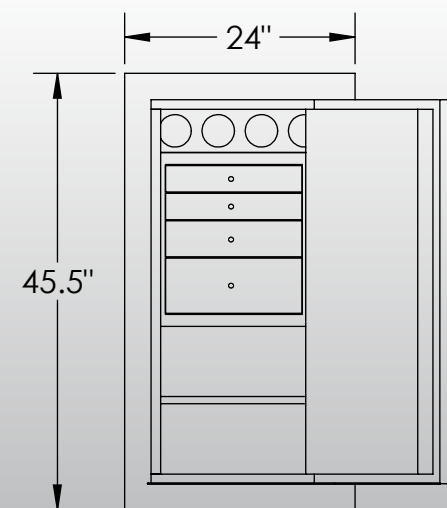
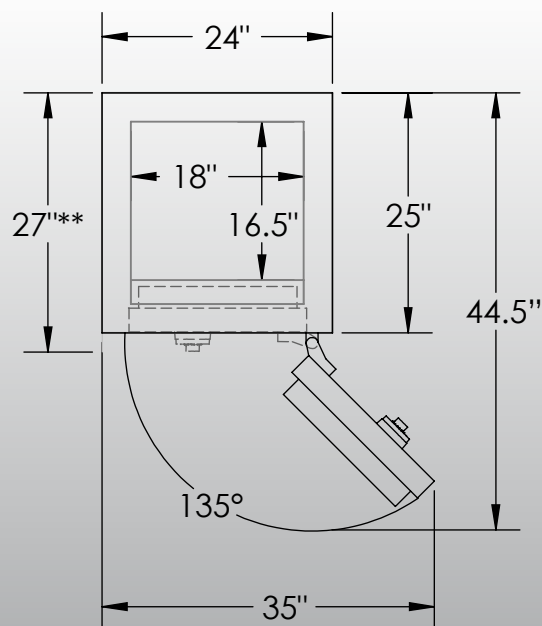
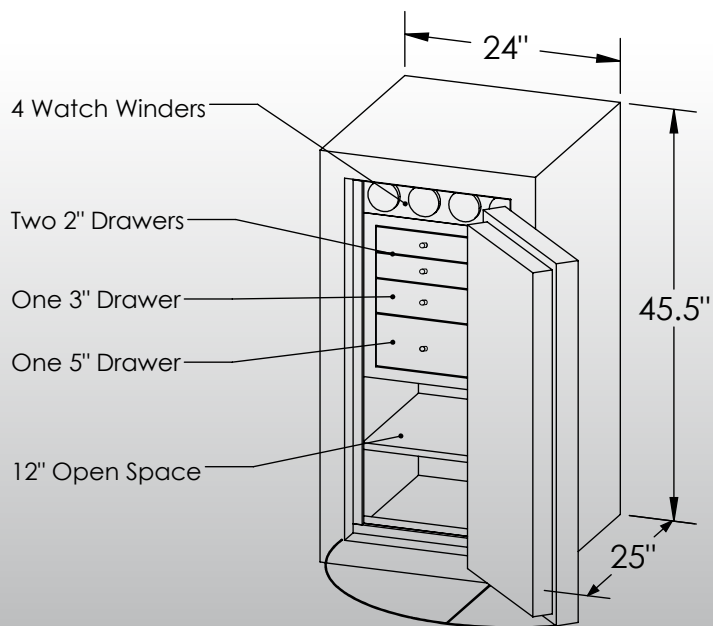


Man Safe 4018 COM Configuration #1

Features & Specifications:

Interior Dimensions	40"H x 18"W x 16.5"D
Exterior Dimensions	45.5"H x 24"W x 27"D
Interior Drawer Dimensions	12 ¾"W x 13"D
Capacity in Cubic Ft.	7
Weight	1,220 LBS
Watch Winders	Four
Drawer Configuration	Two 2" Drawers
.....	One 3" Drawer
.....	One 5" Drawer
Open Space	12 inches with one adjustable shelf



* Please add 1" to all exterior dimensions to allow for installation.

** Standard 120 volt outlet required for operation. Two cords exit at lower back of safe on hinge side to provide power to interior light and watch winders.