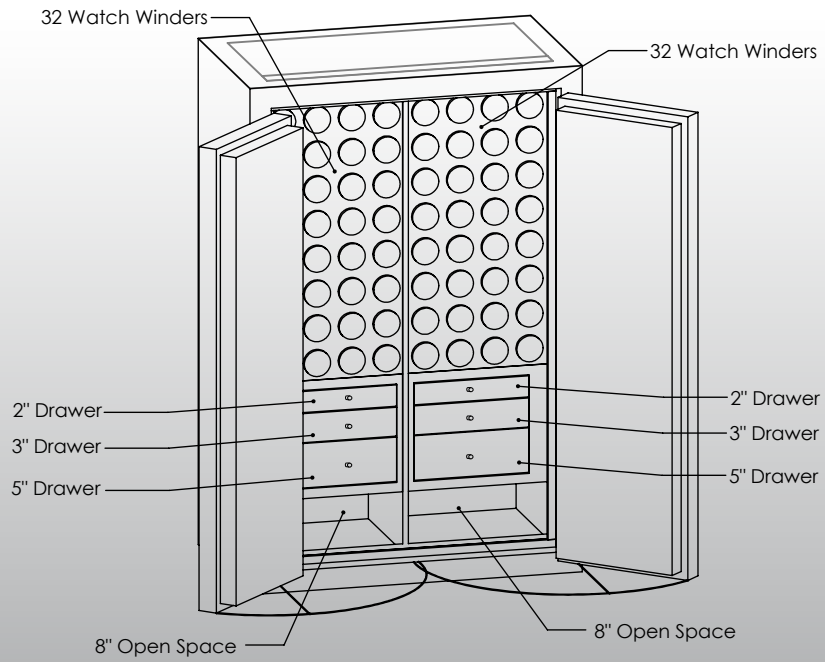
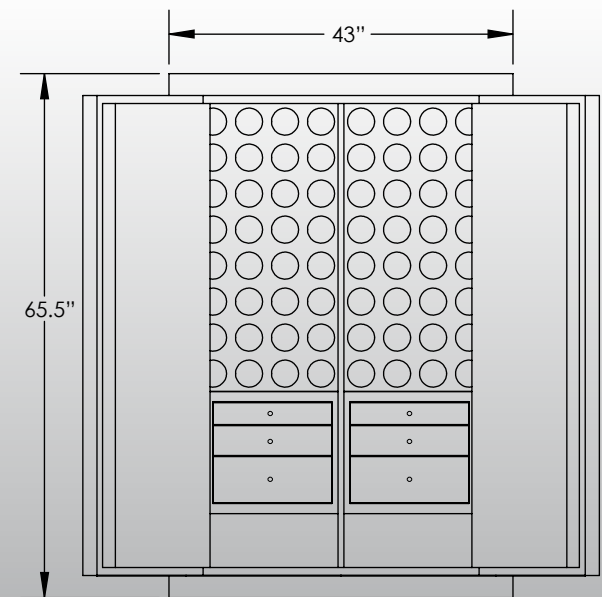
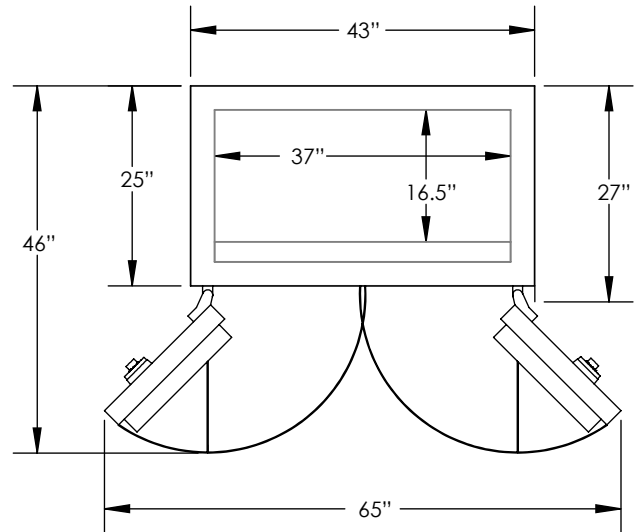


# Man Safe 6037 COM Configuration #2

## Features & Specifications:

Interior Dimensions .....	60"H x 37"W x 16.5"D
Exterior Dimensions .....	65.5"H x 43"W x 27"D
Interior Drawer Dimensions .....	12 3/4"W x 13"D
Capacity in Cubic Ft. ....	21
Weight .....	2,800 LBS
Watch Winders .....	Sixty Four
Drawer Configuration .....	Two 2" Drawers
.....	Two 3" Drawers
.....	Two 5" Drawers
Open Space .....	8" Each Side



\* Please add 1" to all exterior dimensions to allow for installation.  
 \*\* Standard 120 volt outlet required for operation. Two cords exit at lower back of safe on hinge side to provide power to interior light and watch winders.