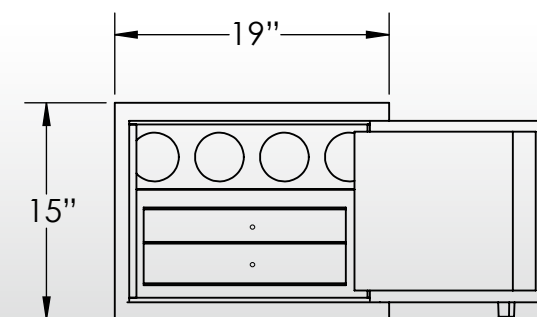
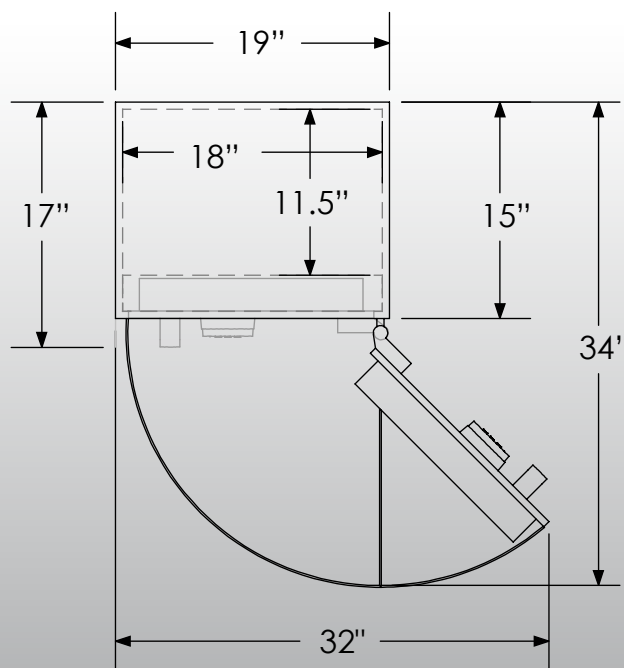
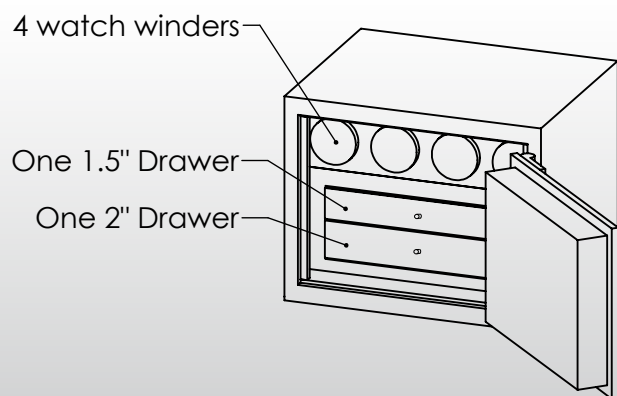


Man Safe 1418 Configuration #2

Features & Specifications:

| | |
|--------------------------------|----------------------|
| Interior Dimensions | 14"H x 18"W x 11.5"D |
| Exterior Dimensions | 15"H x 19"W x 17"D* |
| Inside Drawer Dimensions | 12 ¾"W x 9"D |
| Capacity in Cubic Ft. | 2 |
| Weight | 200 LBS |
| Watch Winders | Four |
| Drawer Configuration | One 1.5" Drawer |
| | One 2" Drawer |
| Open Space | None |



* Please add 1" to all exterior dimensions to allow for installation.

** Standard 120 volt outlet required for operation. Two cords exit at lower back of safe on hinge side to provide power to interior light and watch winders.