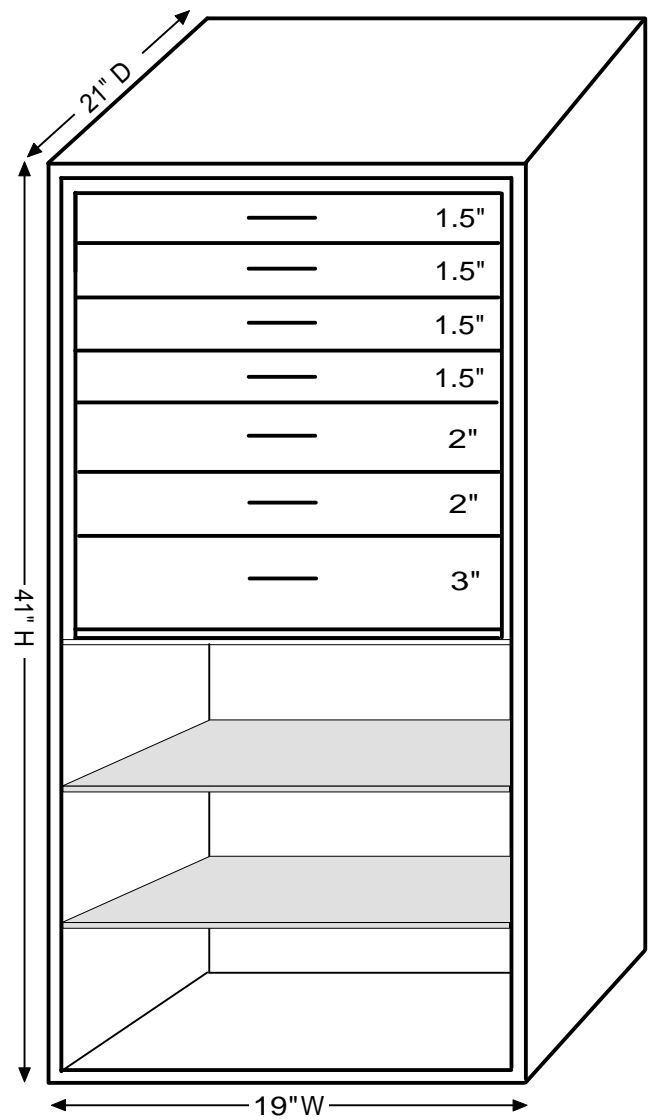
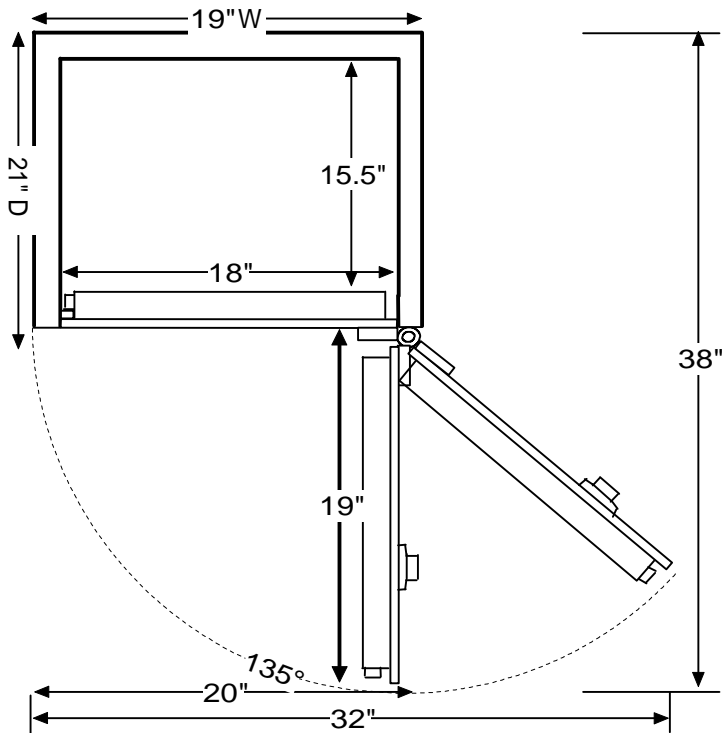


# Gem 4018



| Model    | Inside Dimensions    | Outside Dimensions | Capacity Cubic Ft. | Weight  | Jewelry Drawers Configuration*                        | Open Space for shelves** |
|----------|----------------------|--------------------|--------------------|---------|---|--------------------------|
| Gem 4018 | 40"H x 18"W x 15.5"D | 41"H x 19"W x 21"D | 6.5                | 428 lbs | Four 1.5" drawers<br>Two 2" drawers<br>One 3" drawers | 19"                      |

\*Dimensions indicate inside depth of drawers  
 \*\*All shelves are adjustable