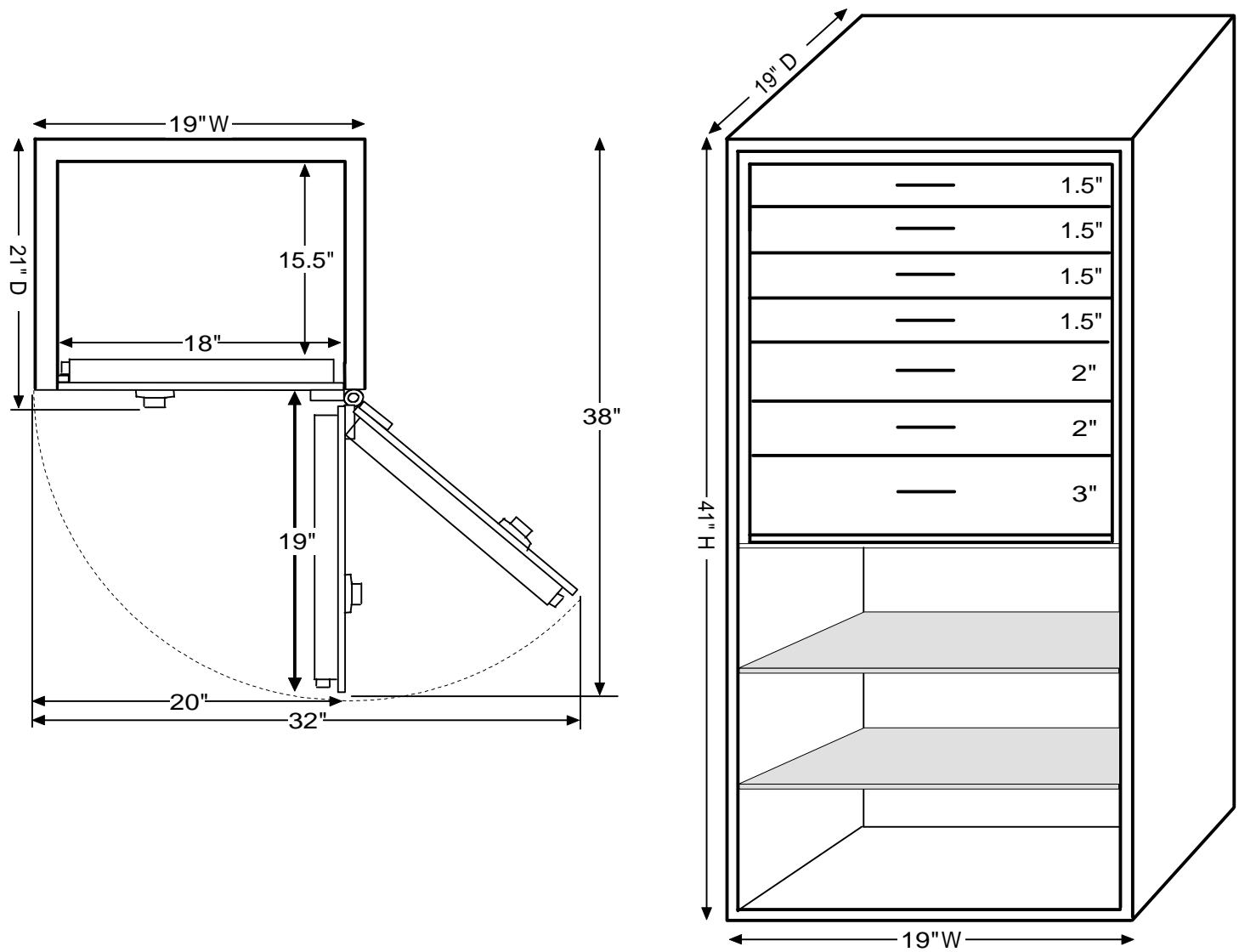


EliteGem 4018



Model	Inside Dimensions	Outside Dimensions	Capacity Cubic Ft.	Weight	Jewelry Drawers Configuration*	Open Space for shelves**
EliteGem 4018	40"H x 18"W x 15.5"D	41"H x 19"W x 21"D	6.5	450 lbs	Four 1.5" drawers Two 2" drawers One 3" drawers	19"

*Dimensions indicate inside depth of drawers
 **All shelves are adjustable