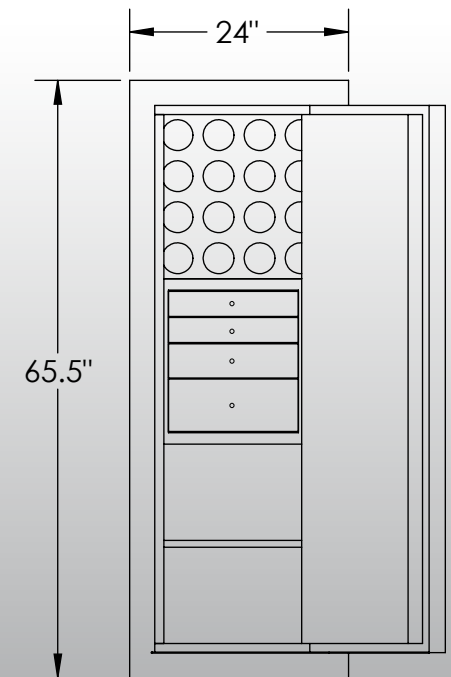
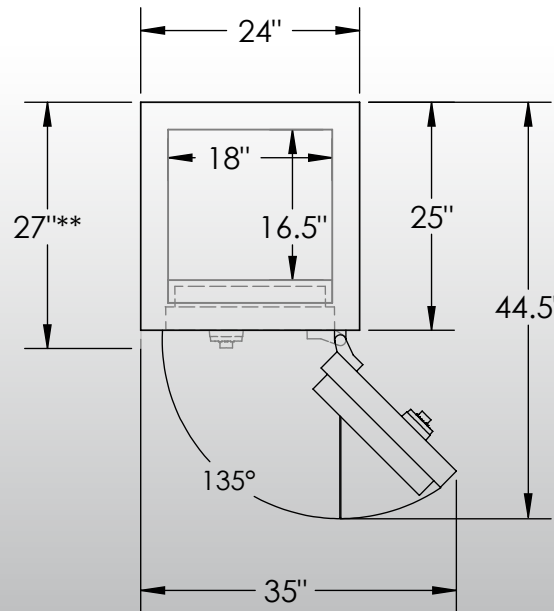
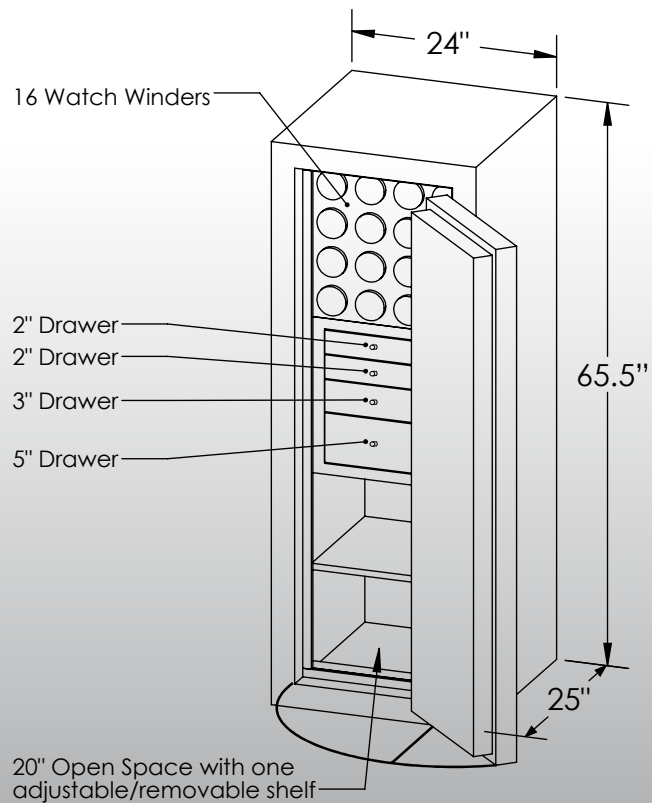


Man Safe 6018 COM Configuration #1

Features & Specifications:

Interior Dimensions	60"H x 18"W x 16.5"D
Exterior Dimensions	65.5"H x 24"W x 27"D
Interior Drawer Dimensions	12 3/4"W x 13"D
Capacity in Cubic Ft.	10
Weight	1,830 LBS
Watch Winders	Sixteen
Drawer Configuration	Two 2" Drawers
.....	One 3" Drawer
.....	One 5" Drawer
Open Space	20 inches



* Please add 1" to all exterior dimensions to allow for installation.

** Standard 120 volt outlet required for operation. Two cords exit at lower back of safe on hinge side to provide power to interior light and watch winders.