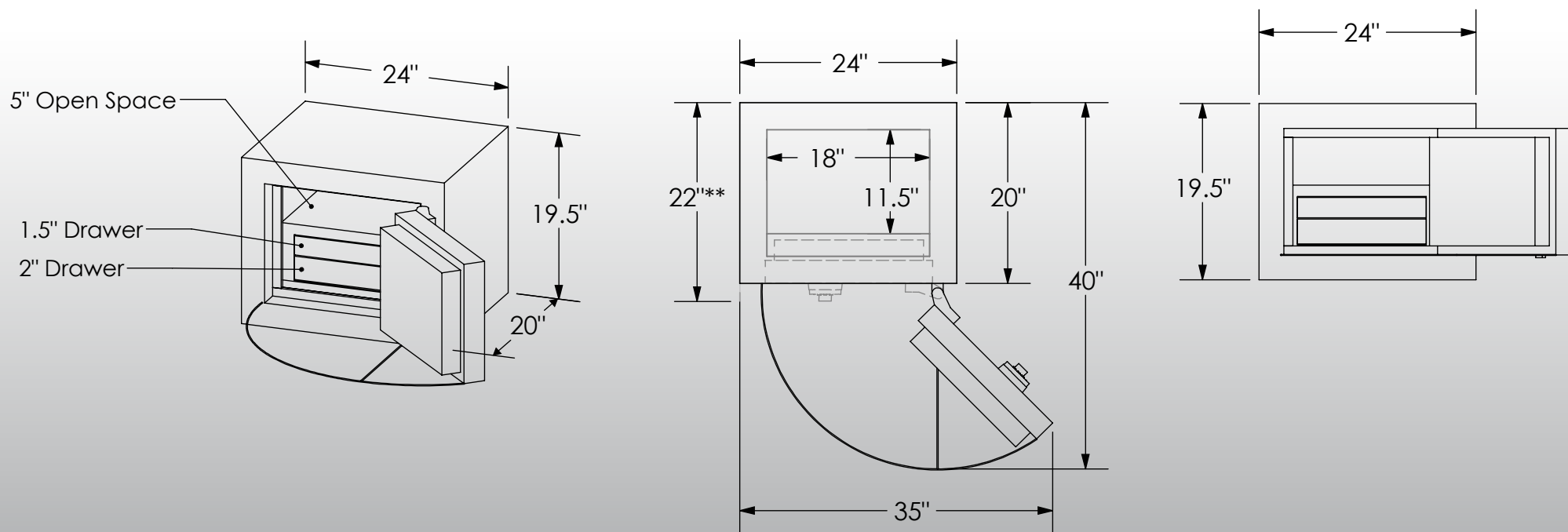


Man Safe COM 1418 Configuration #1

Features & Specifications:

Interior Dimensions	14"H x 18"W x 11.5"D
Exterior Dimensions	19.5"H x 24"W x 22"D*
Inside Drawer Dimensions	12 3/4"W x 9"D
Capacity in Cubic Ft.	2
Weight	505 LBS
Watch Winders	None
Drawer Configuration	One 1.5" Drawer One 2" Drawer
Open Space	5 Inches



* Please add 1" to all exterior dimensions to allow for installation.

** Standard 120 volt outlet required for operation. Two cords exit at lower back of safe on hinge side to provide power to interior light and watch winders.