

# Man Safe 4018 Configuration #3

## Features & Specifications:

|                                  |                      |
|----------------------------------|----------------------|
| Interior Dimensions .....        | 40"H x 18"W x 16.5"D |
| Exterior Dimensions .....        | 41"H x 19"W x 22"D   |
| Interior Drawer Dimensions ..... | 12 ¾"W x 13"D        |
| Capacity in Cubic Ft. ....       | 7                    |
| Weight .....                     | 420 LBS              |
| Watch Winders .....              | Twelve               |
| Drawer Configuration .....       | One 2" Drawer        |
| .....                            | One 3" Drawer        |
| .....                            | One 5" Drawer        |
| Open Space .....                 | 8 inches             |

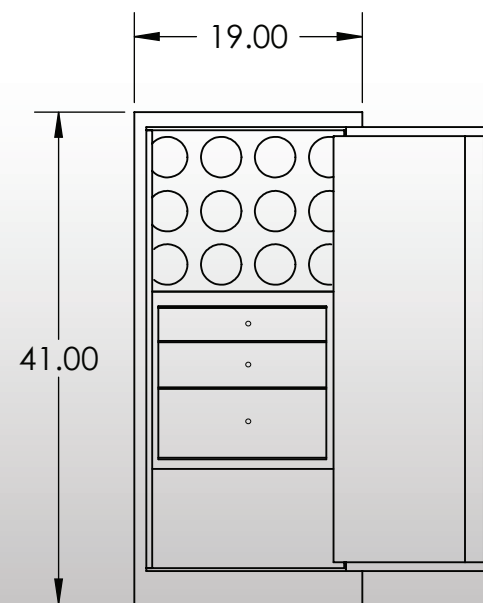
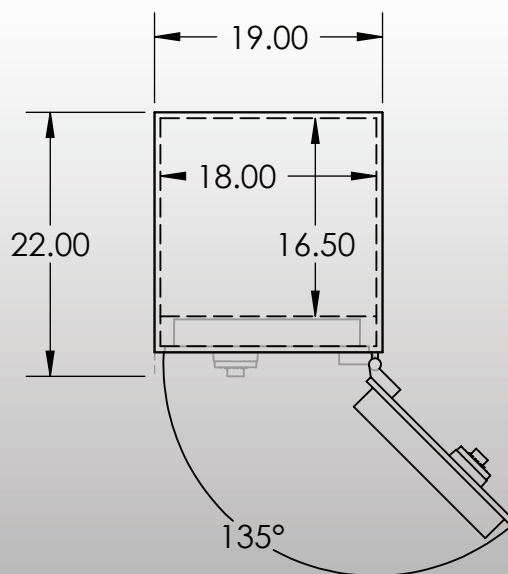
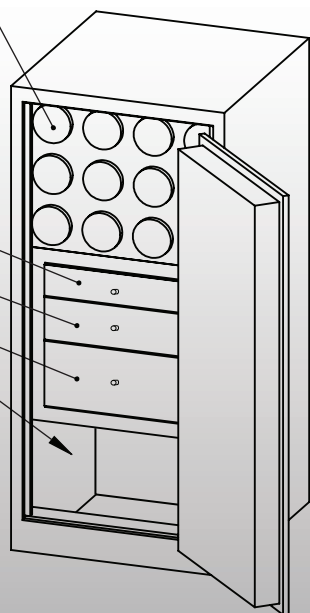
12 Watch Winders

One 2" Drawer

One 3" Drawer

One 5" Drawer

Open Space = 8"



\* Please add 1" to all exterior dimensions to allow for installation.

\*\* Standard 120 volt outlet required for operation. Two cords exit at lower back of safe on hinge side to provide power to interior light and watch winders.