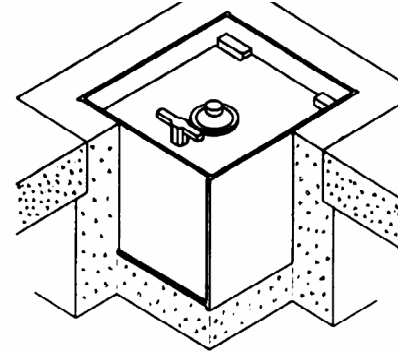


Concrete Floor Installation

Dial the combination and open the safe door (this is to verify safe combination and operation procedure). Close the door and install the dust cover. Tape the dust cover in place to provide a protective seal for the body. Be sure to cover the holes punched into the cover to prevent leakage.

1. Make a hole in the slab at least 3" larger on each side of the safe. Use a hammer and chisel or electric tools and always wear protective safety goggles while working. Remember, the more concrete around the safe the more protection you will have.
2. Dig out a hole at least 3" deeper than the safe.
3. Line the hole with plastic, if there is a high moisture condition. Pour enough concrete into the hole to allow the safe to have a base to sit on.
4. Place the safe in the hole and adjust it to the desired level.
5. Finish filling the hole with concrete and allow 48 hours drying time before using safe.
6. After the concrete has dried for 48 hours, trim away the plastic and remove any excess tape, concrete, or plastic.



Wood Floor Installation

Dial the combination and open the safe door (this is to verify safe combination and operation procedure). Close the door and install the dust cover. Tape the dust cover in place to provide a protective seal for the body. Be sure to cover the holes punched into the cover to prevent leakage.

1. Saw a hole through the floor at least 3" larger on each side of the safe, or as wide as joists will allow.
2. Build a wooden form, or one of chicken wire and roofing paper, extending to the ground on the first floor installations. Be sure to provide adequate support for the form as there will be significant pressure from the concrete. Also be sure the floor and any bracing is substantial enough to support the combined weight of the safe and the concrete.
3. Wrap the safe in a heavy plastic bag and set safe in partially filled form. This will help prevent any moisture from the concrete from seeping into the safe as it dries.
4. Adjust the safe to the desired level and finish filling hole with concrete. Allow 48 hours drying time before using safe.
5. After the concrete has dried for 48 hours, remove any wooden forms or bracing to prevent possible termite infestation.

