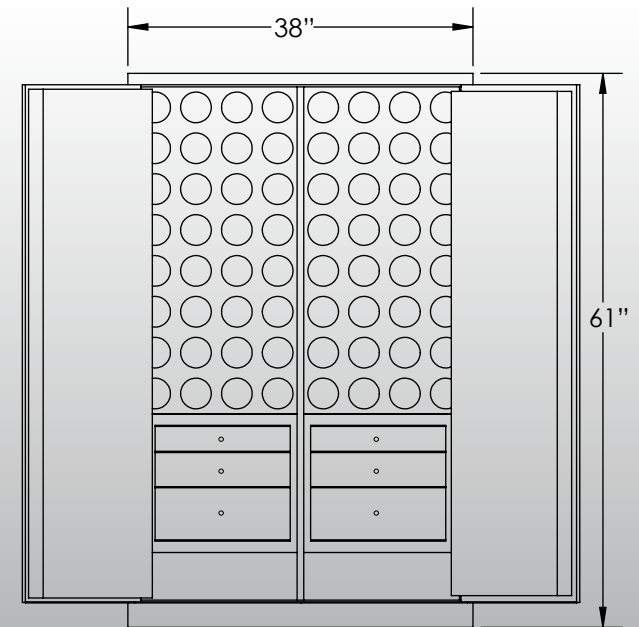
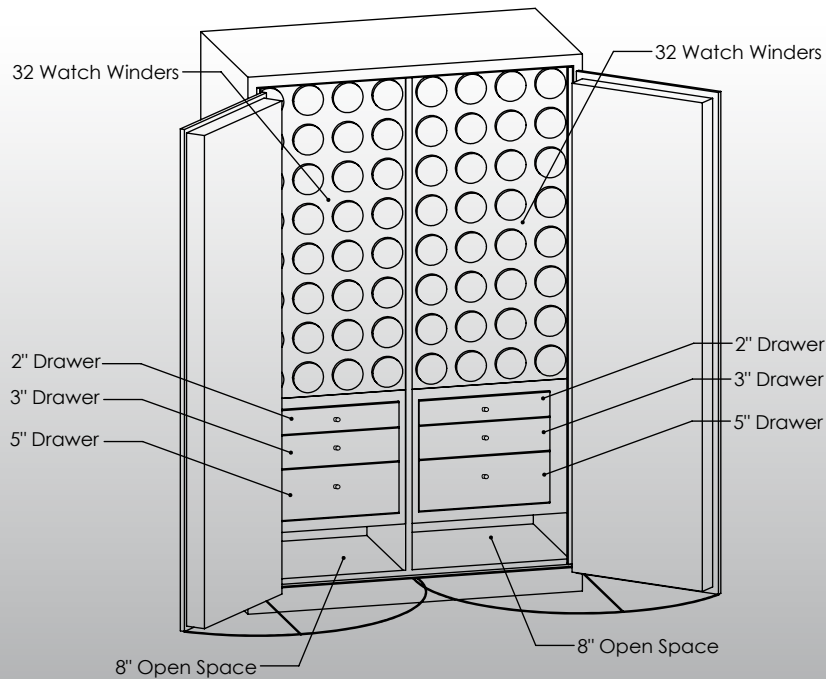
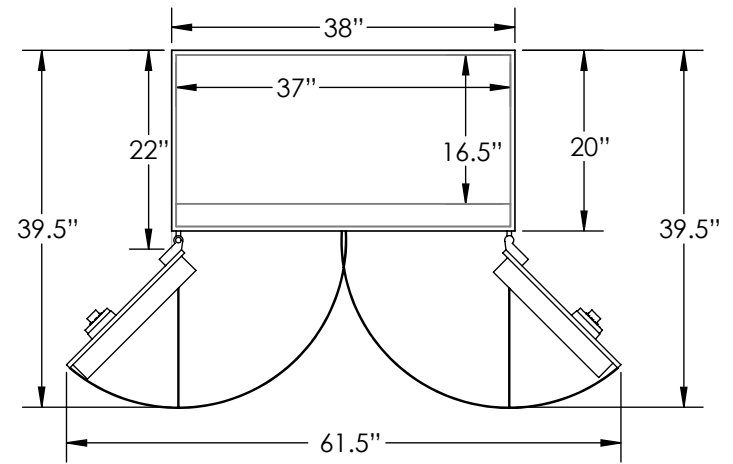


Man Safe 6037 Configuration #2

Features & Specifications:

Interior Dimensions	60"H x 37"W x 16.5"D
Exterior Dimensions	61"H x 38"W x 22"D
Interior Drawer Dimensions	12 3/4"W x 13"D
Capacity in Cubic Ft.	21
Weight	1,240 LBS
Watch Winders	Sixty Four
Drawer Configuration	Two 2" Drawers
.....	Two 3" Drawers
.....	Two 5" Drawers
Open Space	8" Each Side



* Please add 1" to all exterior dimensions to allow for installation.

** Standard 120 volt outlet required for operation. Two cords exit at lower back of safe on hinge side to provide power to interior light and watch winders.