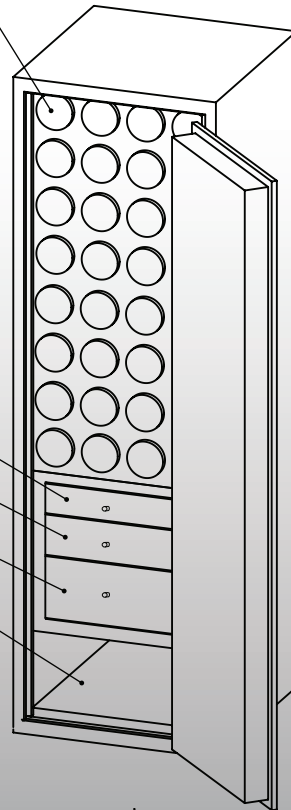


# Man Safe 6018 Configuration #2

## Features & Specifications:

Interior Dimensions .....	60"H x 18"W x 16.5"D
Exterior Dimensions .....	61"H x 19"W x 22"D
Interior Drawer Dimensions .....	12 3/4"W x 13"D
Capacity in Cubic Ft. ....	11
Weight .....	700 LBS
Watch Winders .....	Thirty-two
Drawer Configuration .....	One 2" Drawer
.....	One 3" Drawer
.....	One 5" Drawer
Open Space .....	8" inches

32 Watch Winders

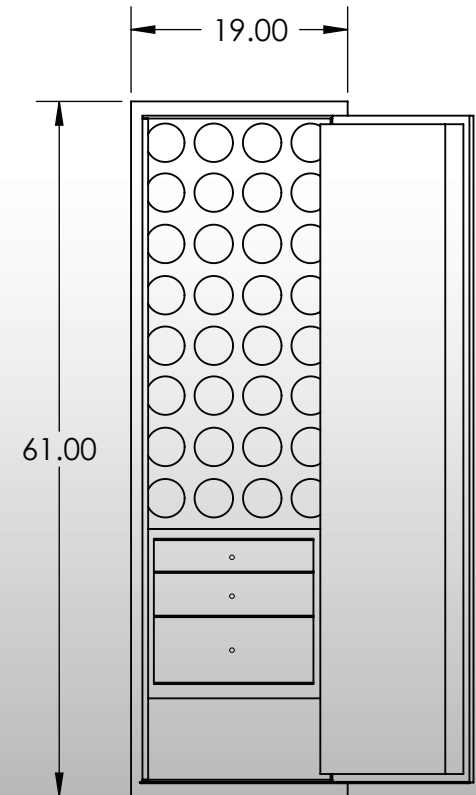
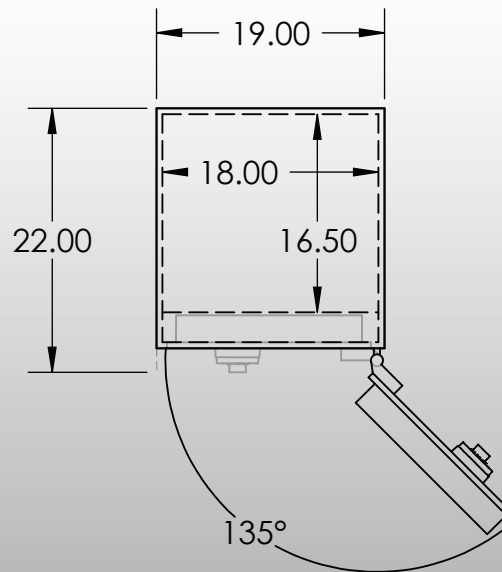


One 2" Drawer

One 3" Drawer

One 5" Drawer

Open Space = 8"



\* Please add 1" to all exterior dimensions to allow for installation.

\*\* Standard 120 volt outlet required for operation. Two cords exit at lower back of safe on hinge side to provide power to interior light and watch winders.