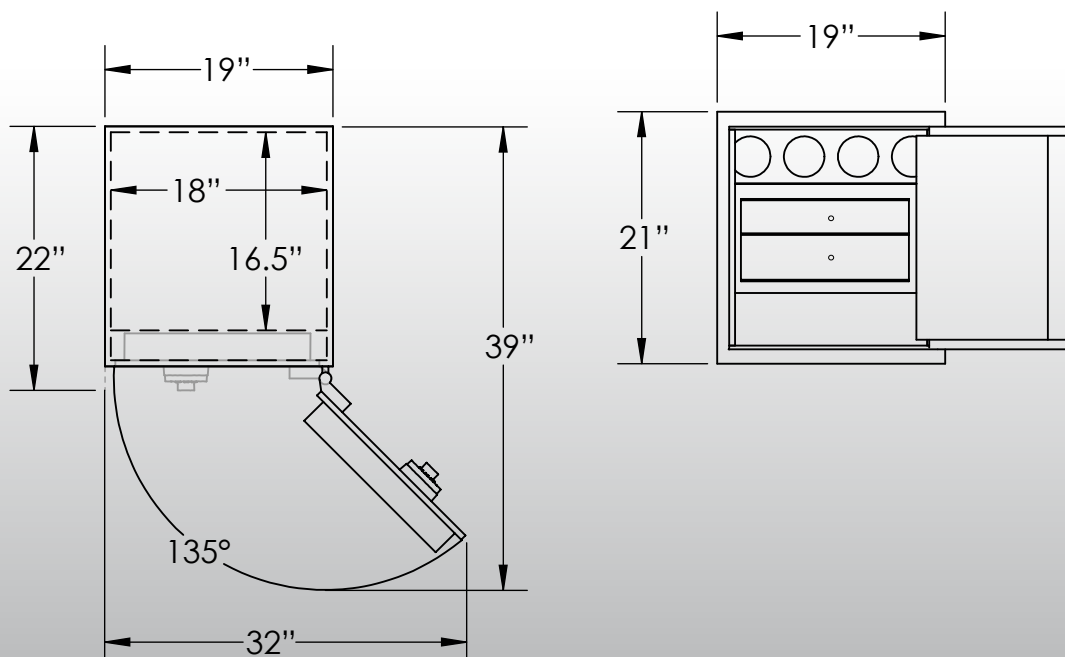
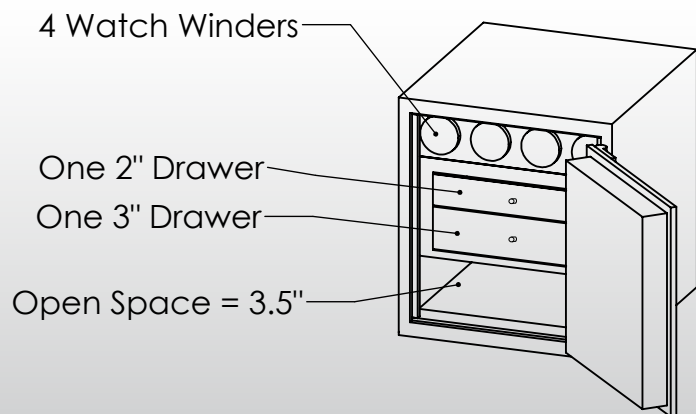


# Man Safe 2018 Configuration #1

## Features & Specifications:

Interior Dimensions .....	20"H x 18"W x 16.5"D
Exterior Dimensions .....	21"H x 19"W x 22"D
Interior Drawer Dimensions .....	12 3/4"W x 13"D
Capacity in Cubic Ft. ....	4
Weight .....	285 LBS
Watch Winders .....	Four
Drawer Configuration .....	One 3" Drawer
Open Space .....	3.5 inches



\* Please add 1" to all exterior dimensions to allow for installation.

\*\* Standard 120 volt outlet required for operation. Two cords exit at lower back of safe on hinge side to provide power to interior light and watch winders.