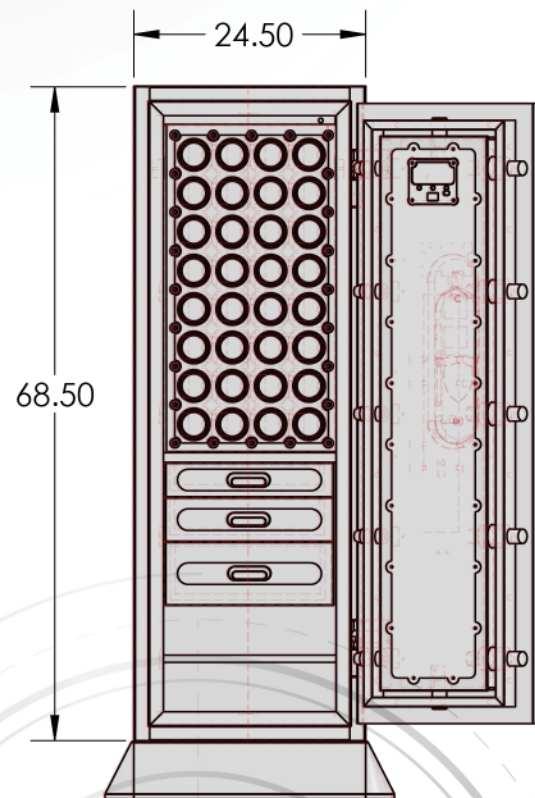
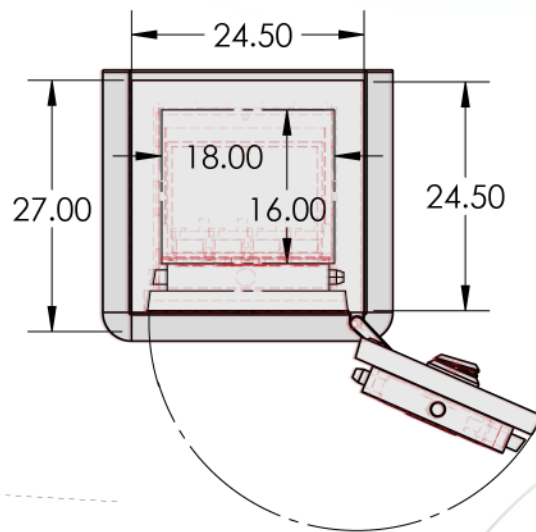
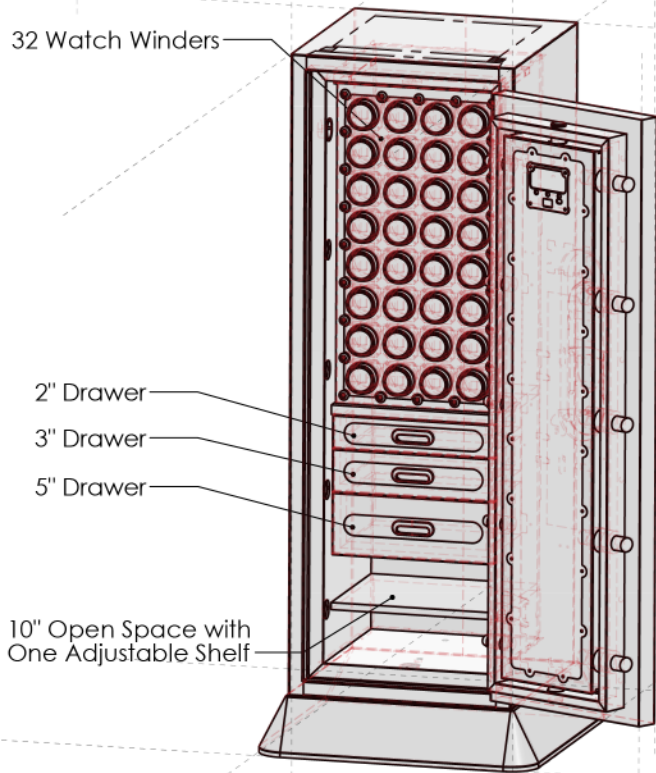


## CHRONOS MODEL 6218

|                      |   |
|----------------------|---|
| Interior Dimensions  | 62"H x 18"W x 16"D                              |
| Exterior Dimensions  | 68.5"H x 24.5"W x 27"D                          |
| Weight               | 1,750 LBS                                       |
| Watch Winder         | Thirty-two                                      |
| Drawer Configuration | One 2" Drawer<br>One 3" Drawer<br>One 5" Drawer |
| Open Space           | 10" w/ One Adjustable Shelf                     |



\* Please add 1" to all exterior dimensions to allow for installation.  
 \*\* Standard 120 volt outlet required for operation. Two cords exit at lower back of safe on hinge side to provide power to interior light and watch winders.